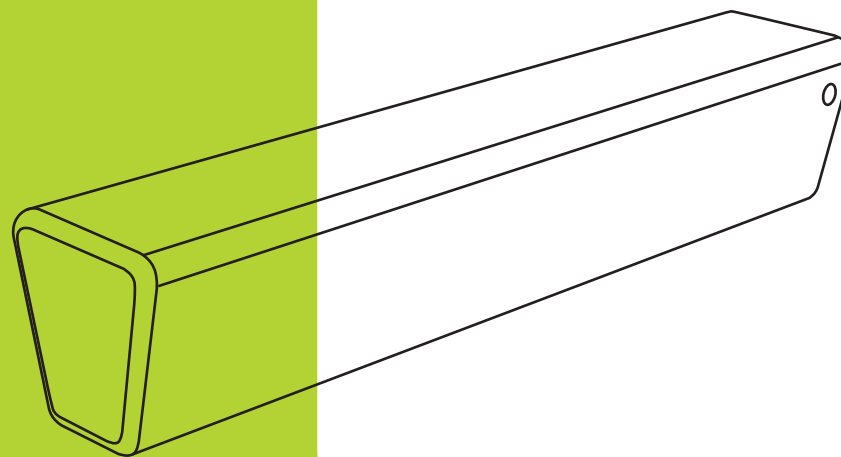


Mounting instructions

Loop Line # 140

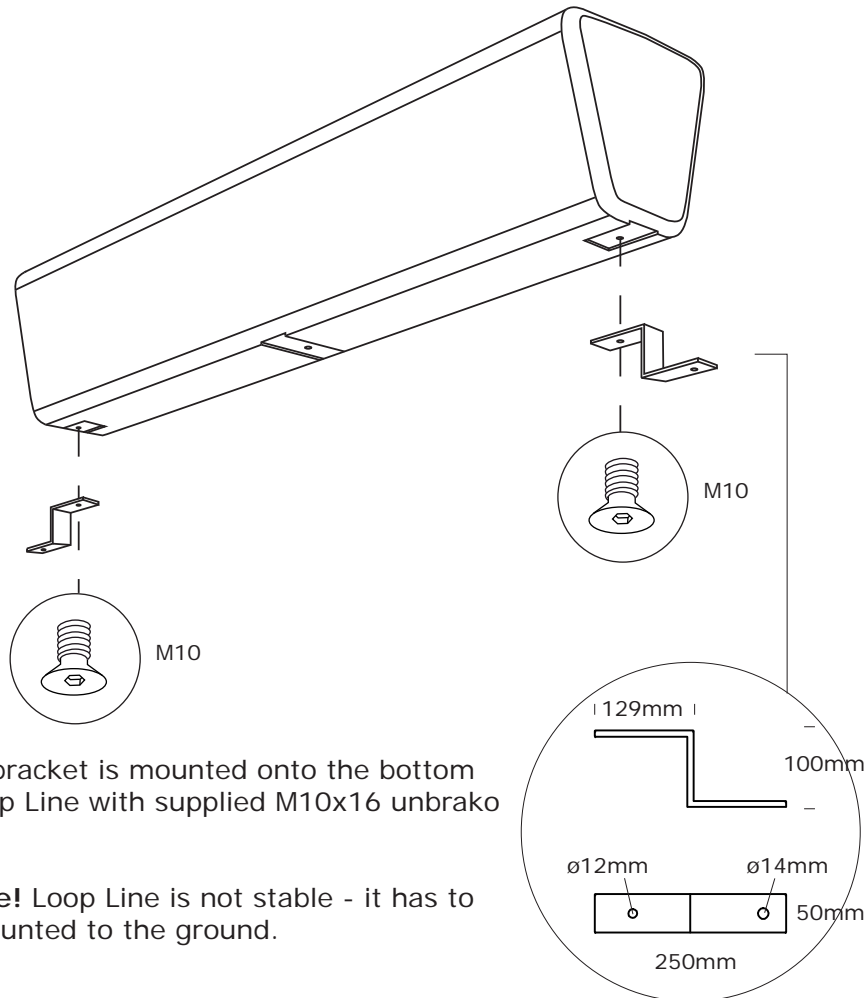


NOTICE!

Loop Line is not stable as individual furniture.

Loop Line has to be fixed to the ground with brackets or fixed to Loop Arc.

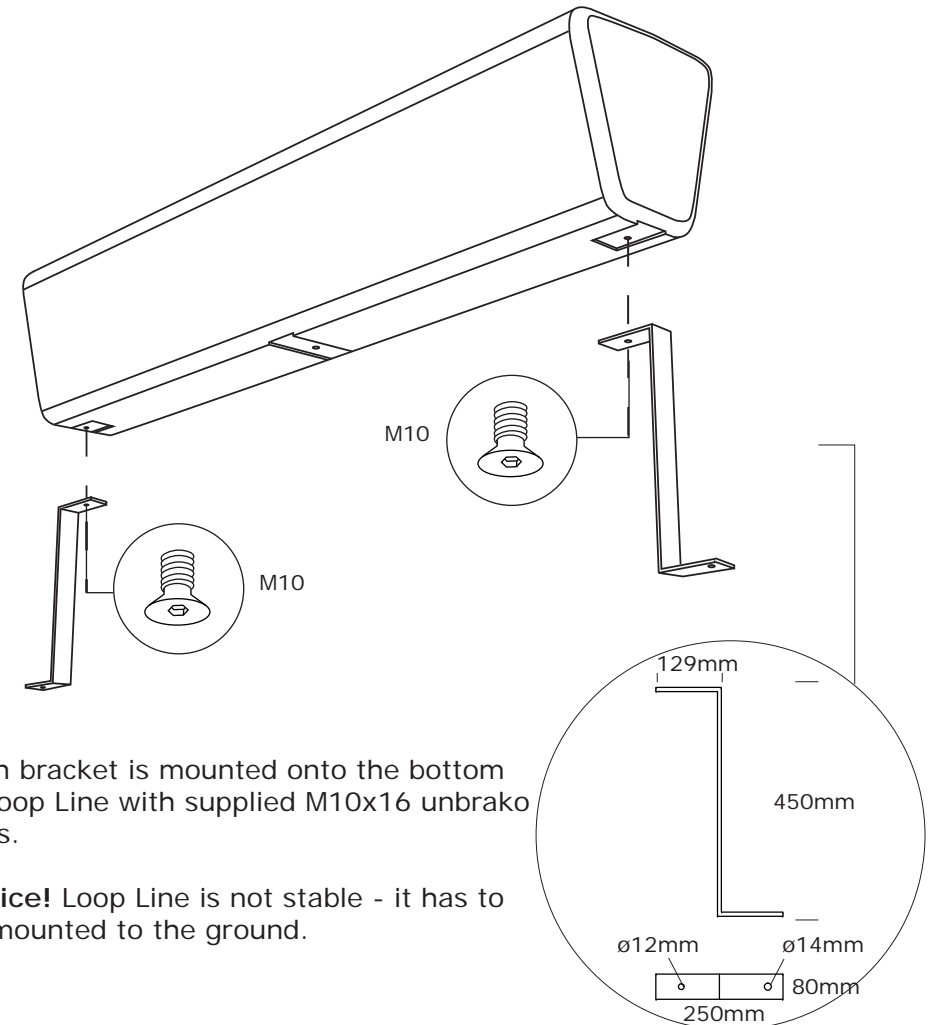
B1 bracket for ground fixation



Each bracket is mounted onto the bottom of Loop Line with supplied M10x16 unbrako bolts.

Notice! Loop Line is not stable - it has to be mounted to the ground.

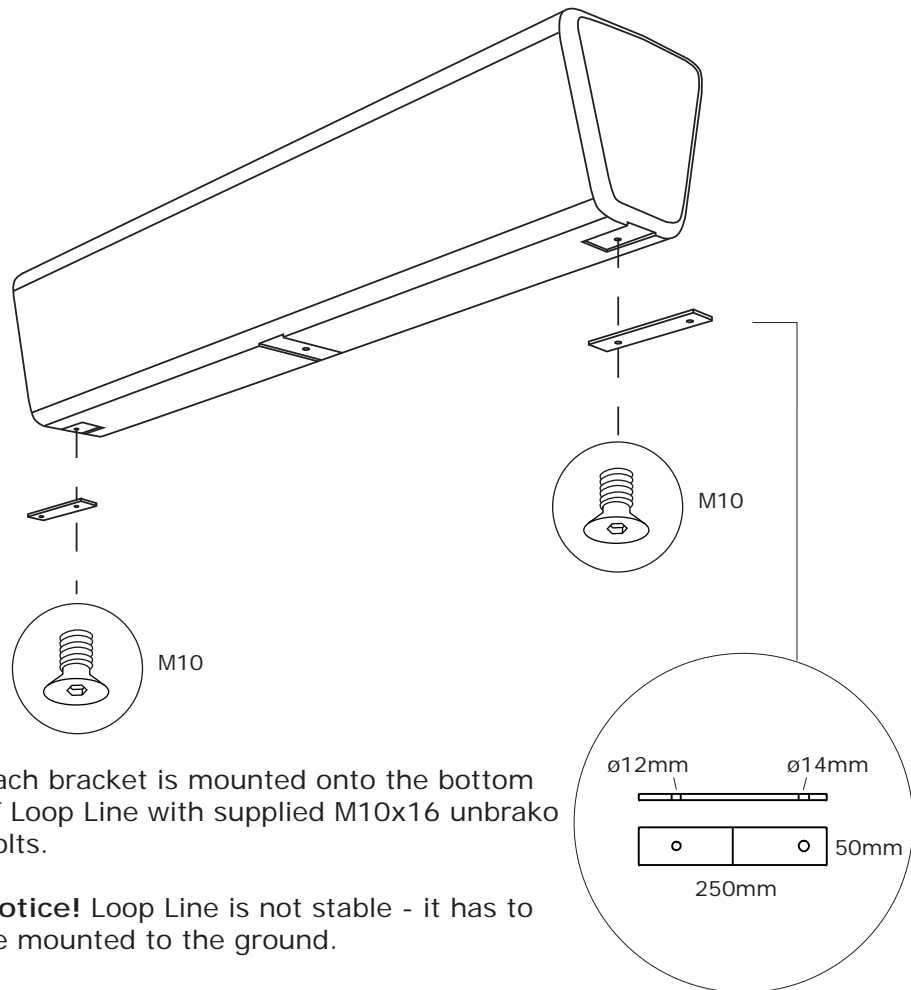
B2 long bracket for ground fixation



Each bracket is mounted onto the bottom of Loop Line with supplied M10x16 unbrako bolts.

Notice! Loop Line is not stable - it has to be mounted to the ground.

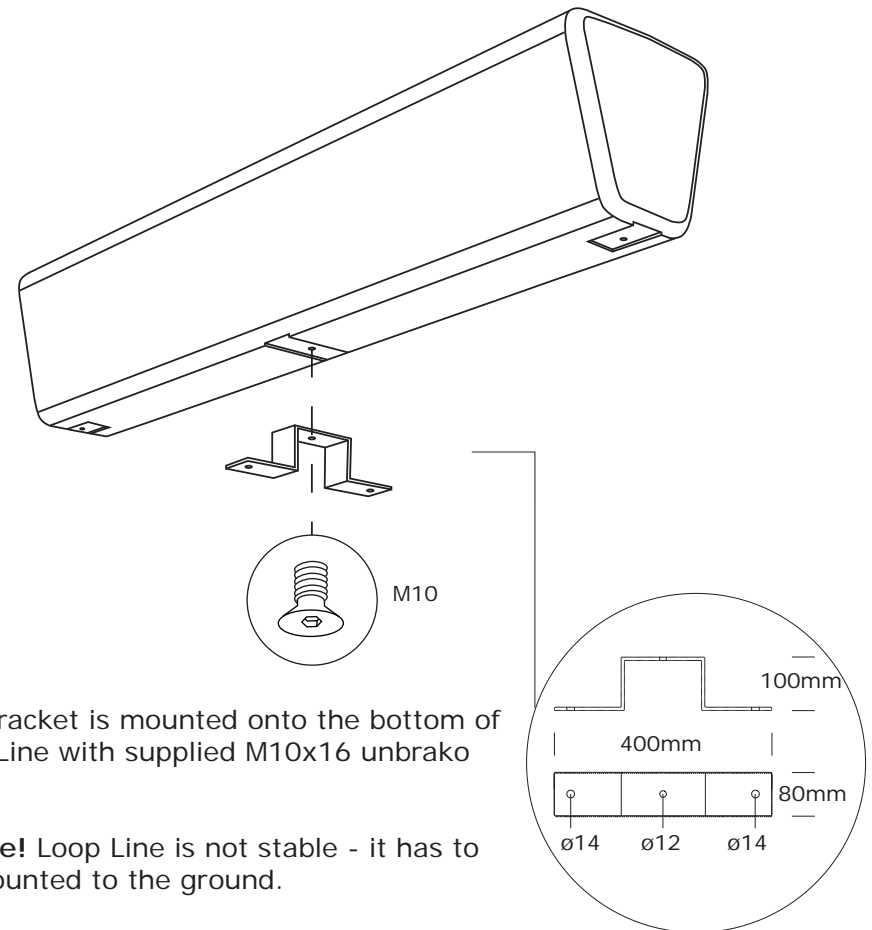
B3 bracket for surface fixation



Each bracket is mounted onto the bottom of Loop Line with supplied M10x16 unbrako bolts.

Notice! Loop Line is not stable - it has to be mounted to the ground.

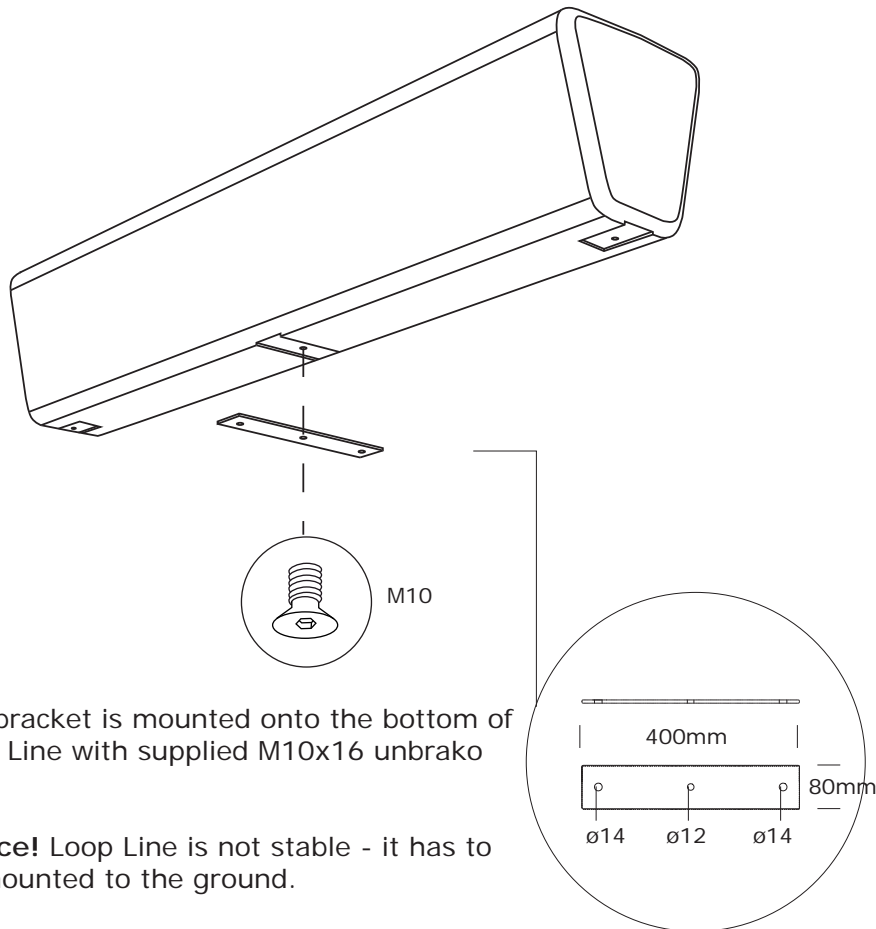
B5 bracket for ground fixation, middle



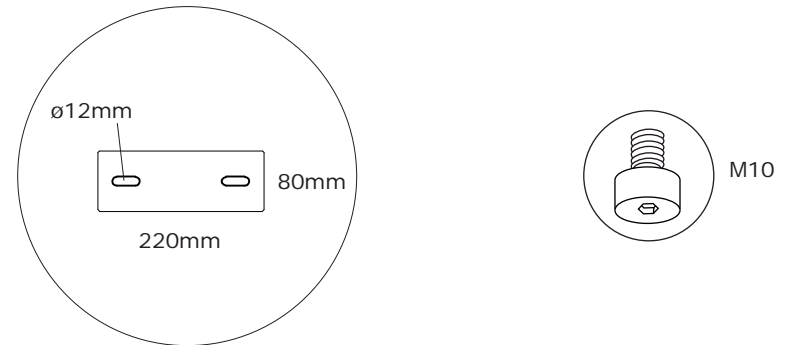
The bracket is mounted onto the bottom of Loop Line with supplied M10x16 unbrako bolt.

Notice! Loop Line is not stable - it has to be mounted to the ground.

B6 bracket for surface fixation, middle

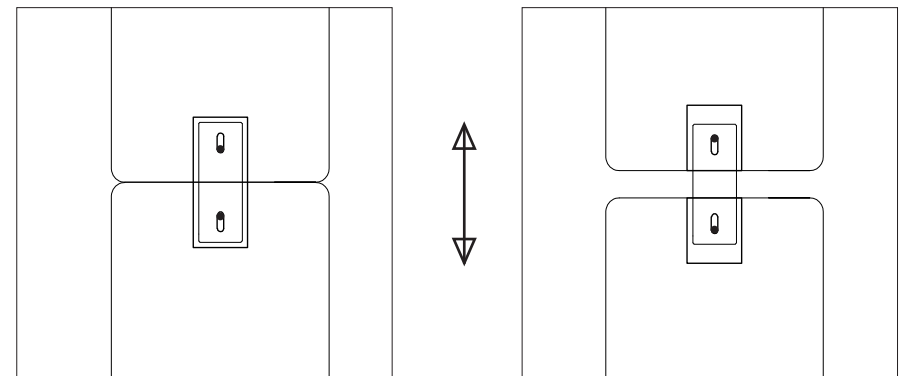


B4 assembly bracket



The assembly bracket function as a spacer between the ends of two Loop Lines. The bracket is adjustable (0-50mm).

Each bracket is mounted onto the bottom of each Loop Line with the supplied M10x16 bolts.



Cleaning instructions

The material polyethylene withstands almost all detergents.

Polyethylene requires no maintenance.

The dyed polyethylene preserves the colour - minimal fading by the sun is to be expected.

Pressure washers can be used with advantage to clean the product. This service is often offered by companies that remove graffiti.

After cleaning, use vinyl polish (same as used for car interior) to make the product shine.

Slip resistant Surfaces

The products have a textured/granulated surface due to abrasive blasting of the mold.

This process increases the friction, resulting in a less slippery surface.